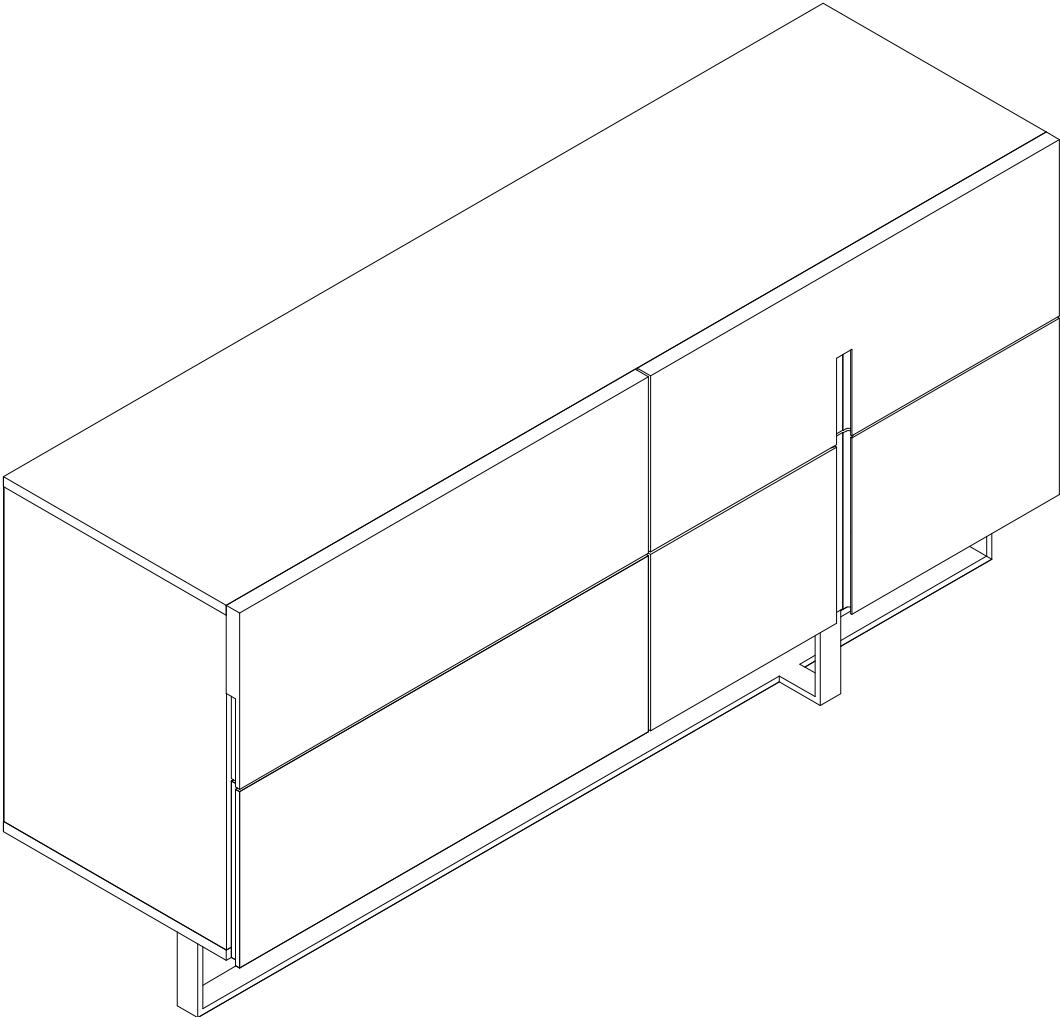
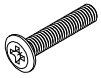
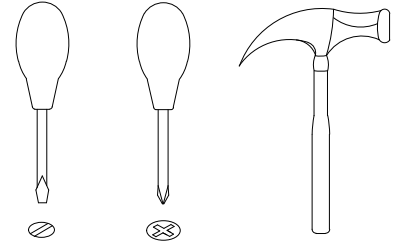
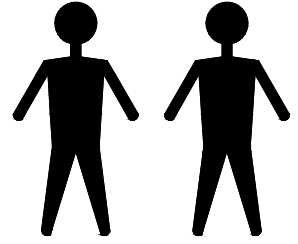


# CP1302C-HA



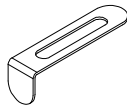
# # CP1302C-HA



A x9  
Spec: M6\*25



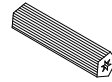
B x9  
Spec: M18\*8.2\*2



C x2  
Spec:



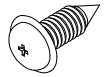
D x4  
Spec:  $\phi 3.5$ \*L32



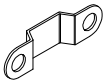
E x4  
Spec:



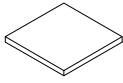
F x6  
Spec: 10\*4\*1



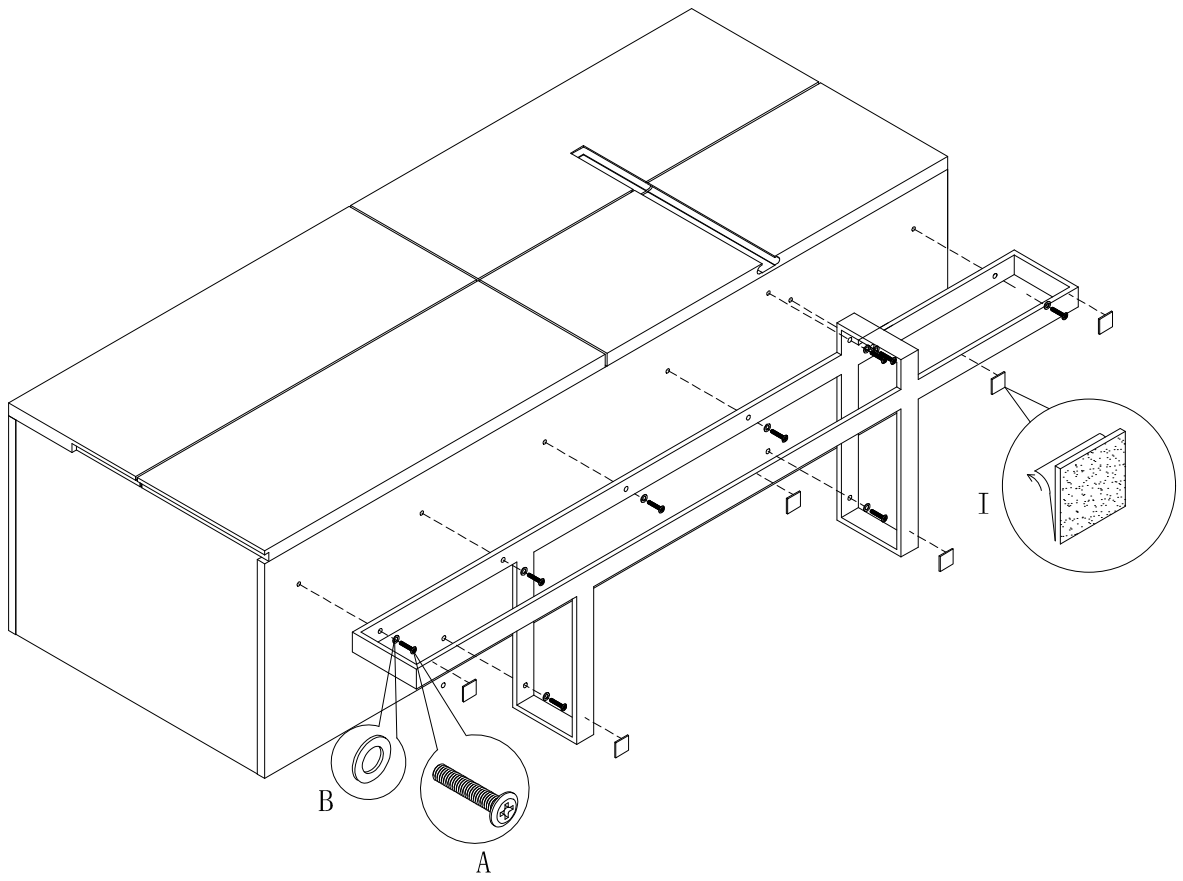
G x2  
Spec:  $\phi 4$ \*L16



H x2  
Spec:

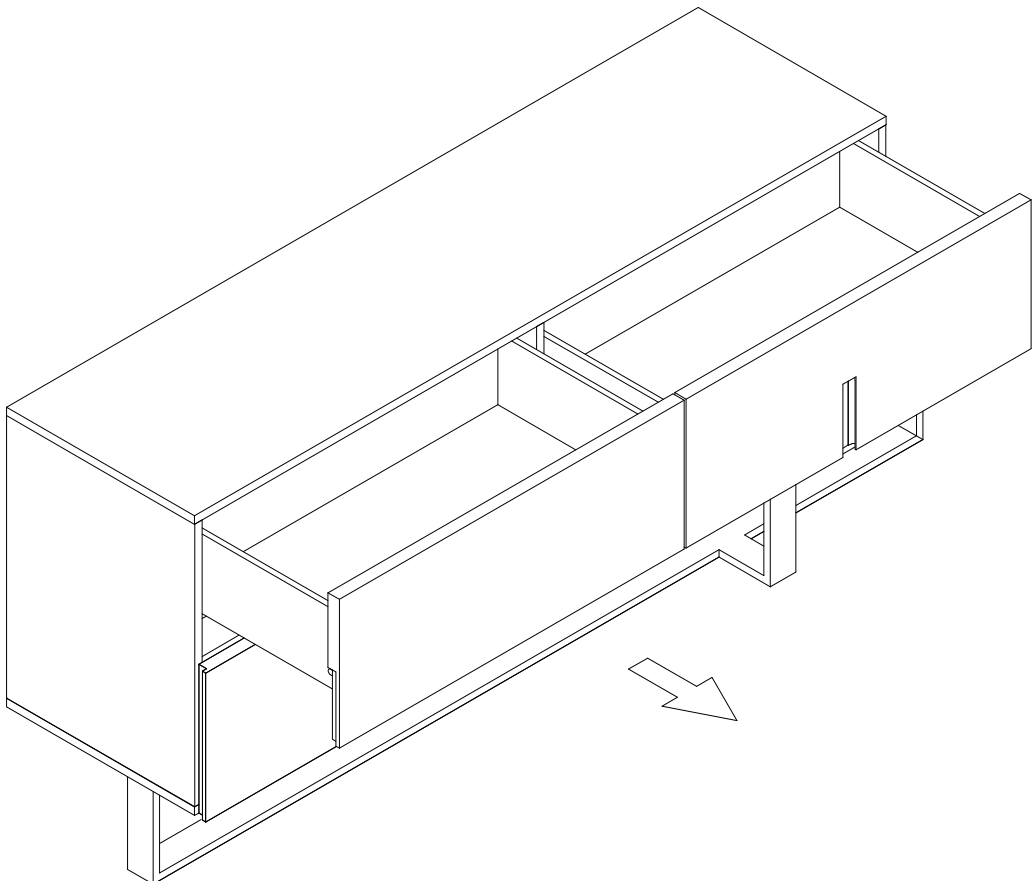


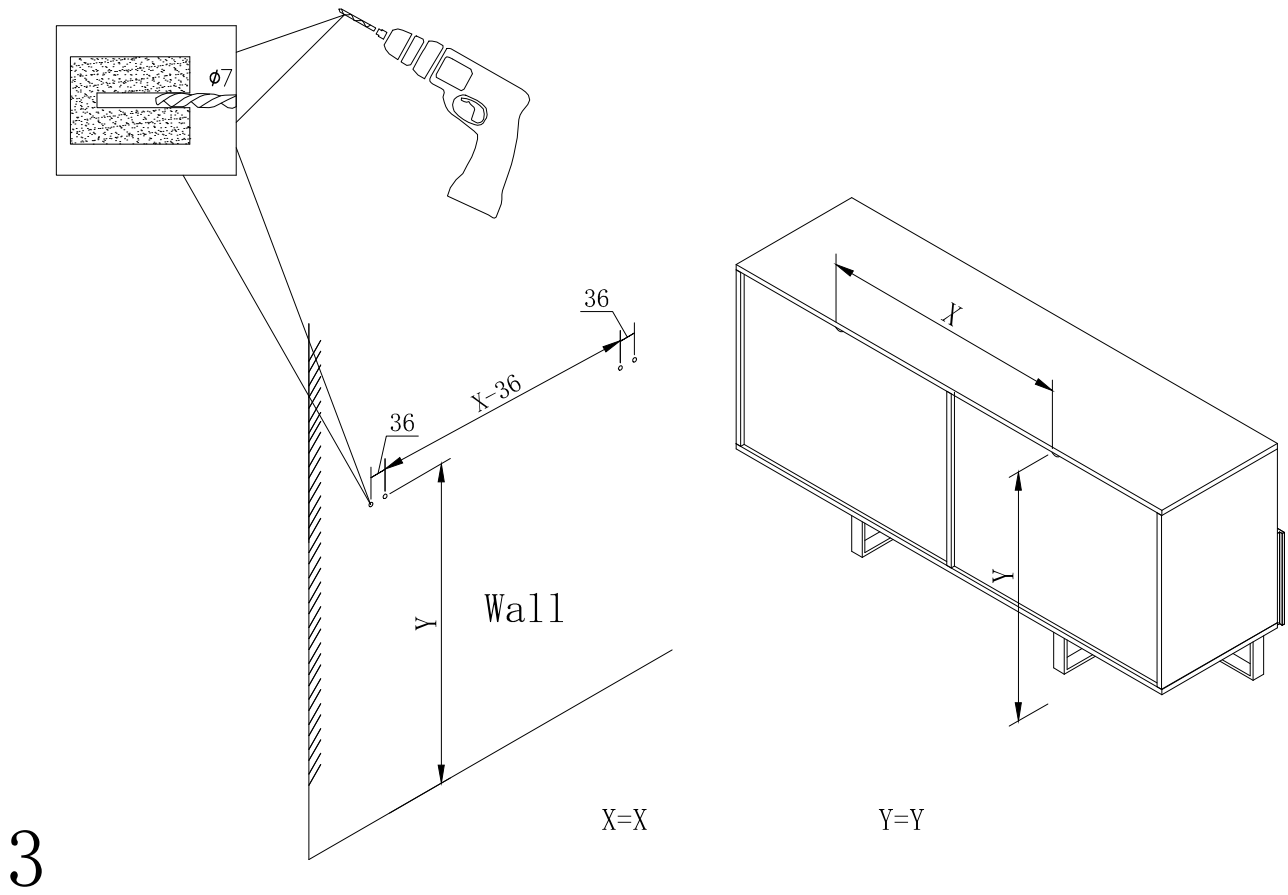
I x6  
Spec: 38\*38



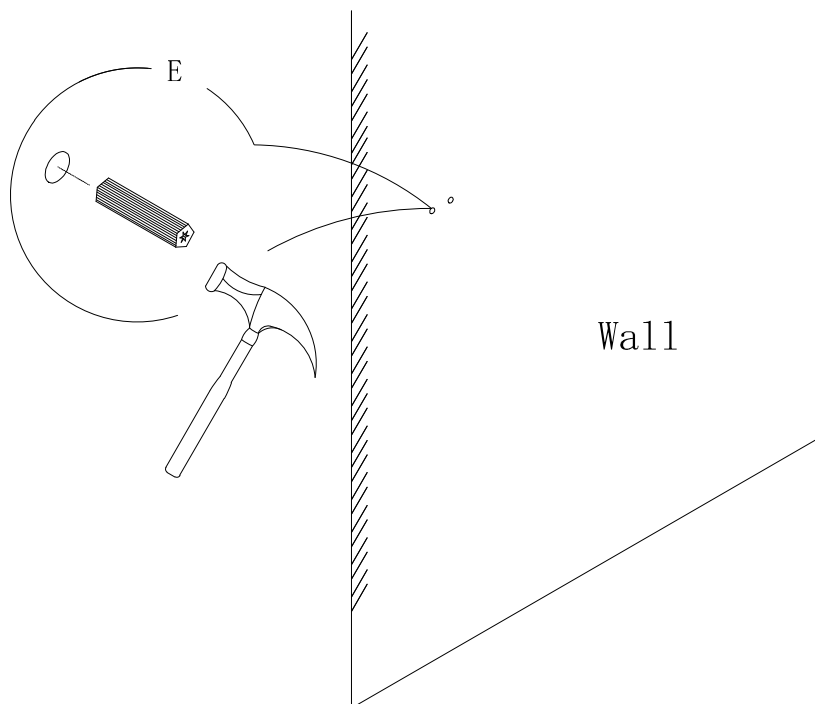
1

2

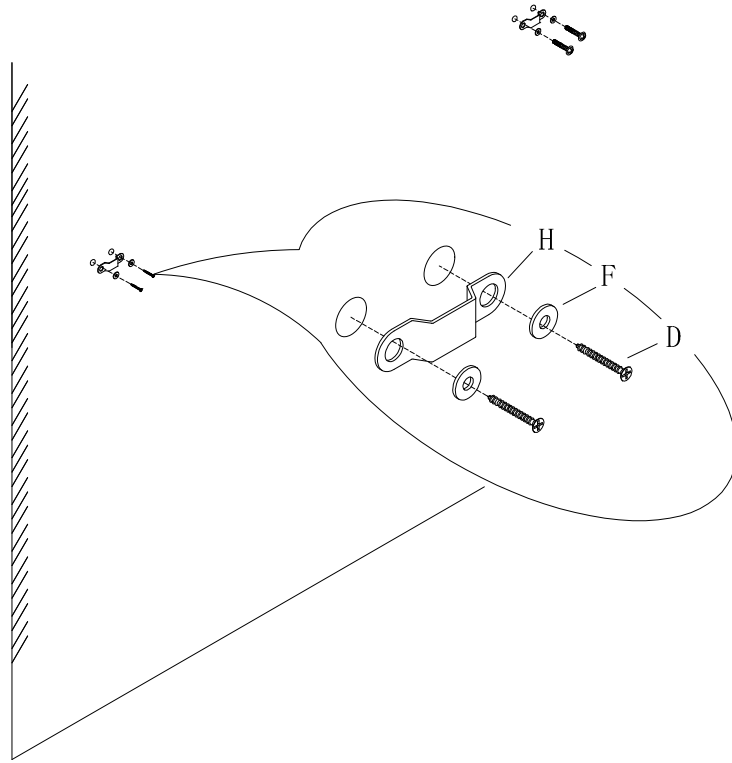




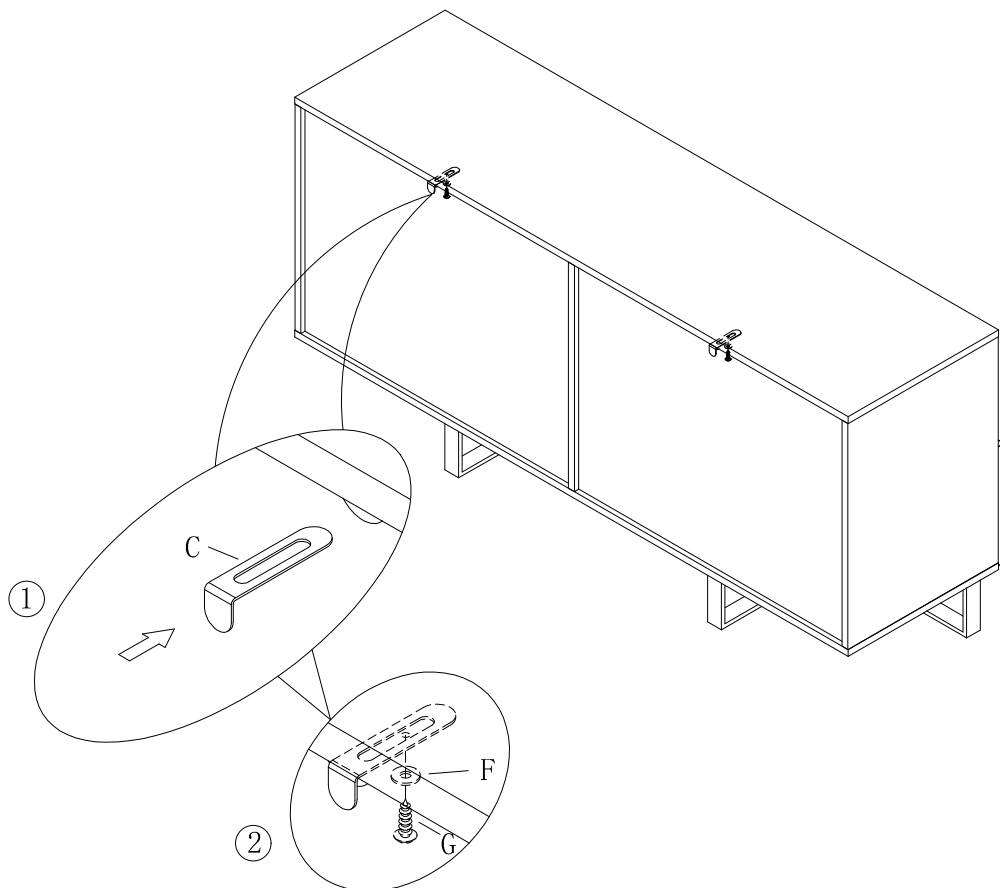
4

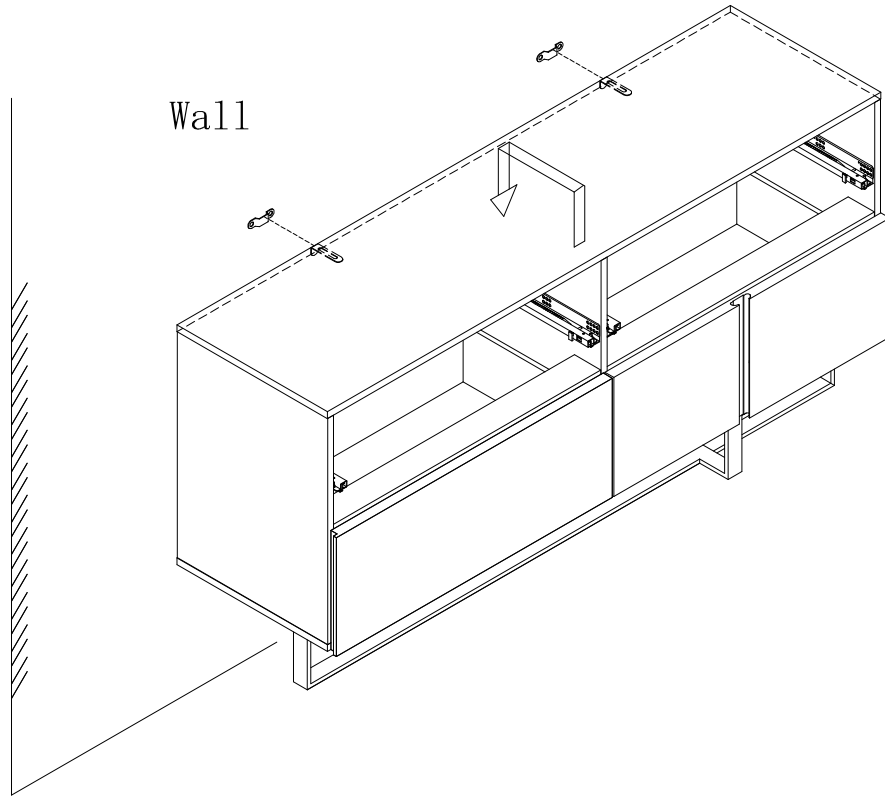


5



6





7

8

