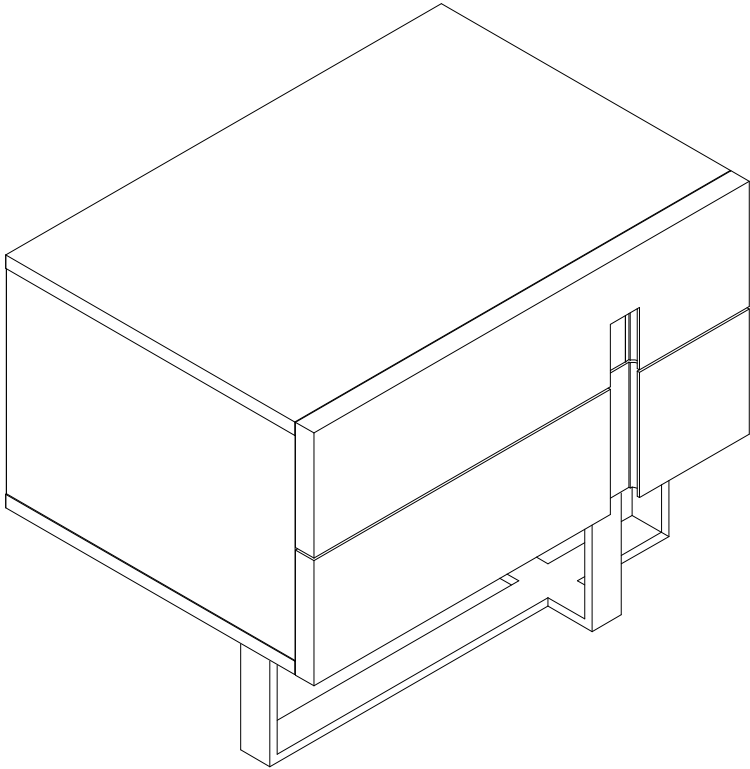
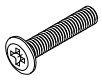
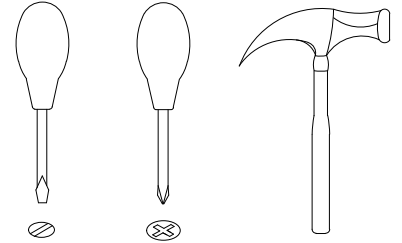
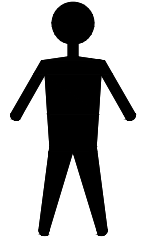


CP1302H-HA



CP1302H-HA



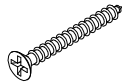
A x5
Spec: M6*25



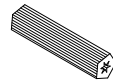
B x5
Spec: M18*8.2*2



C x4
Spec: 38*38



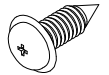
D x2
Spec: $\phi 3.5 * L35$



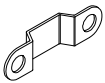
E x2
Spec:



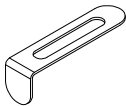
F x3
Spec: 10*4*1



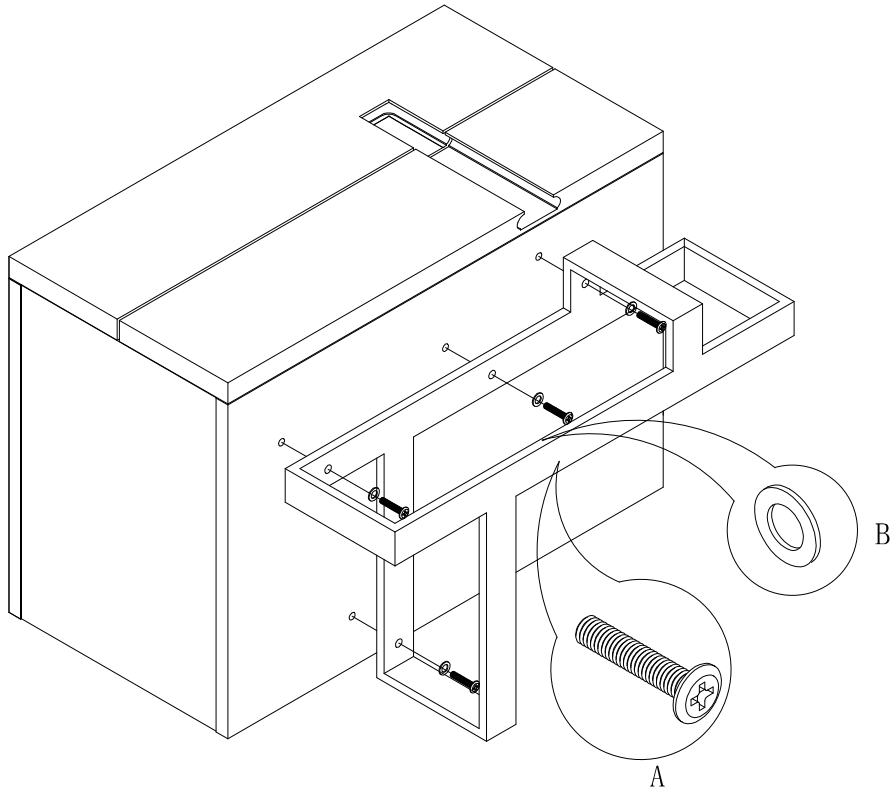
G x1
Spec: $\phi 4 * L16$



H x1
Spec:

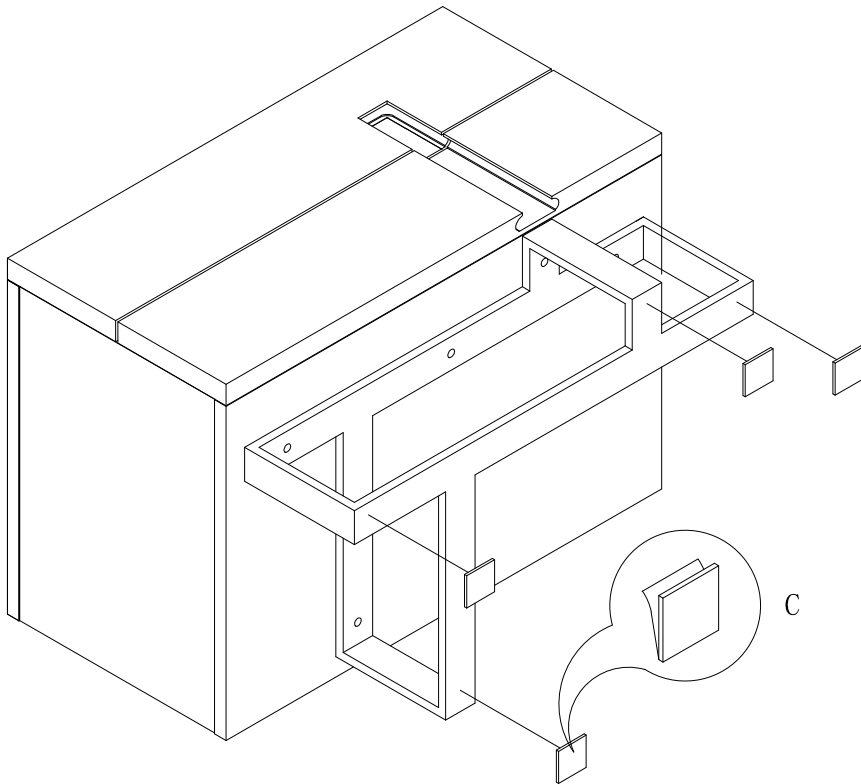


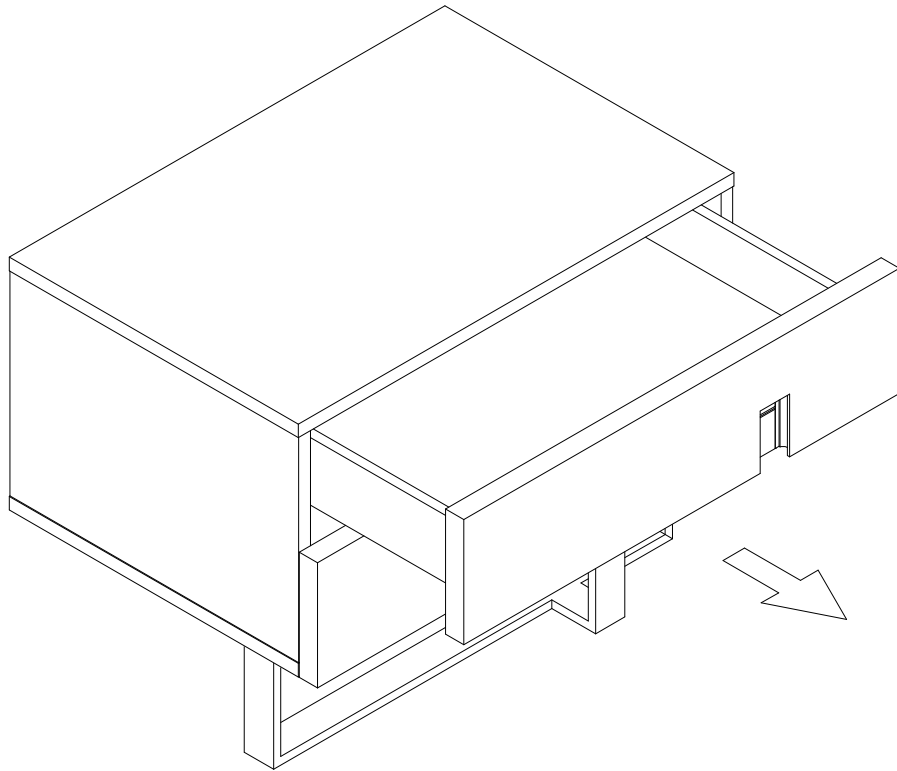
I x1
Spec:



1

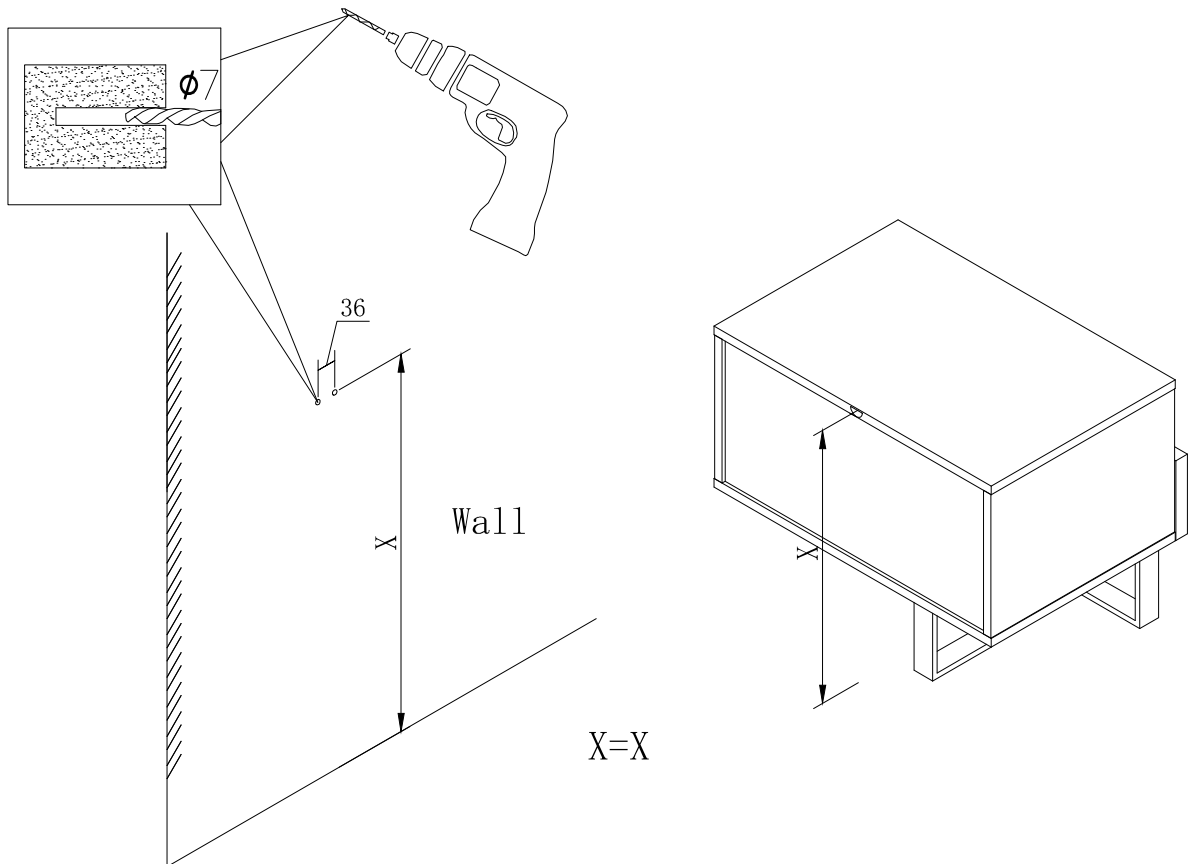
2

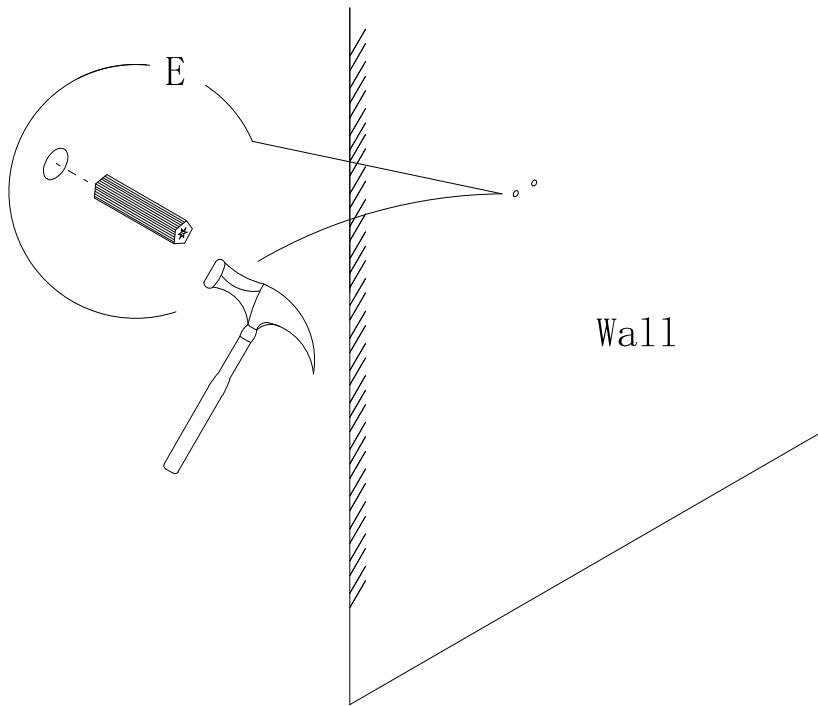




3

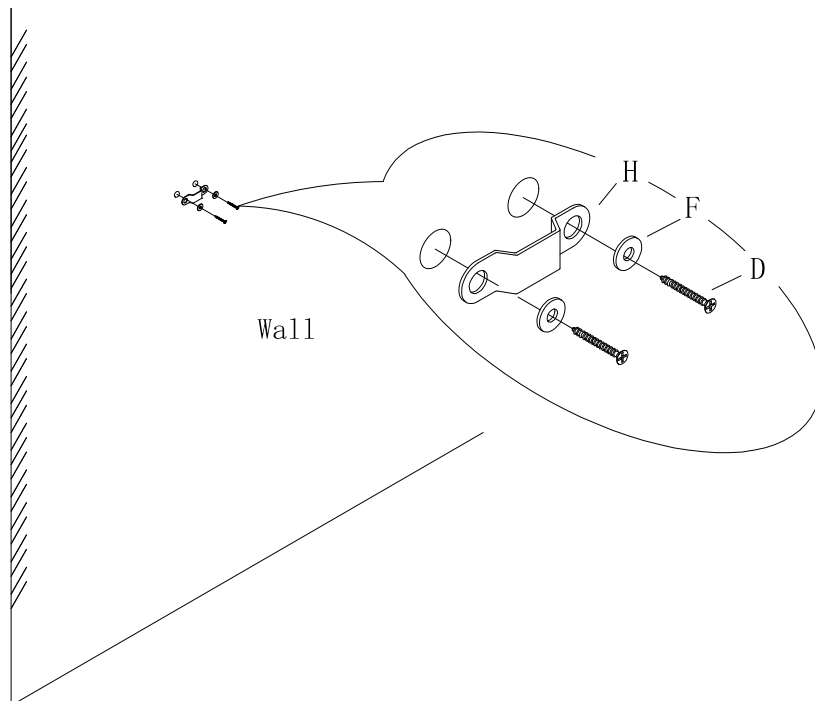
4

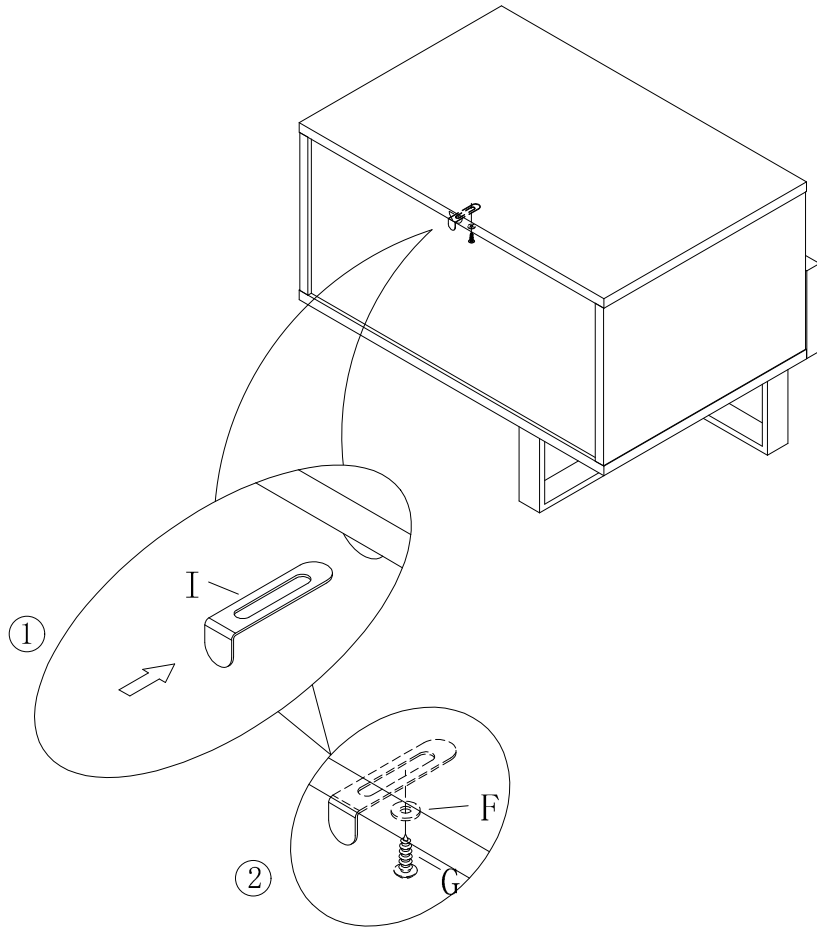




5

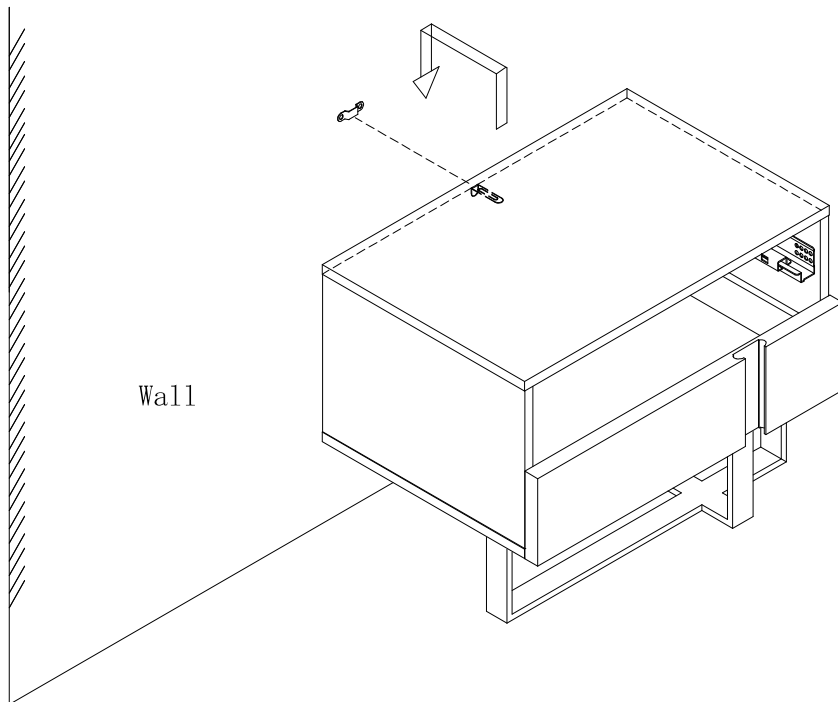
6

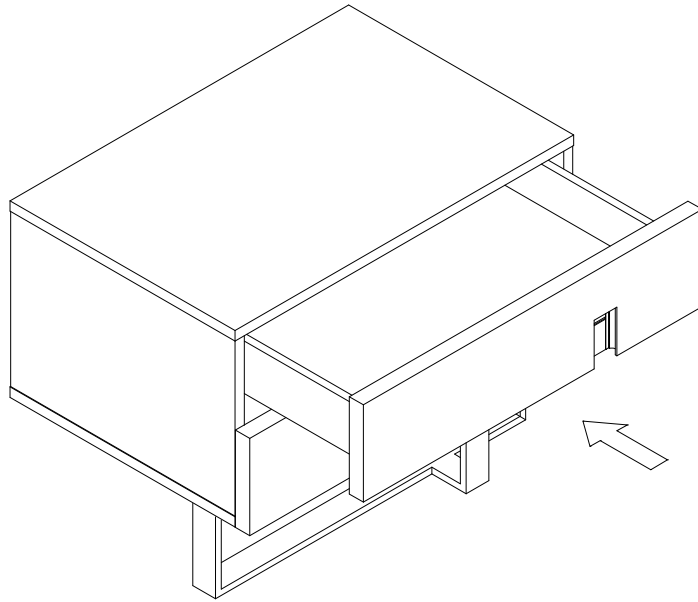




7

8





9
