

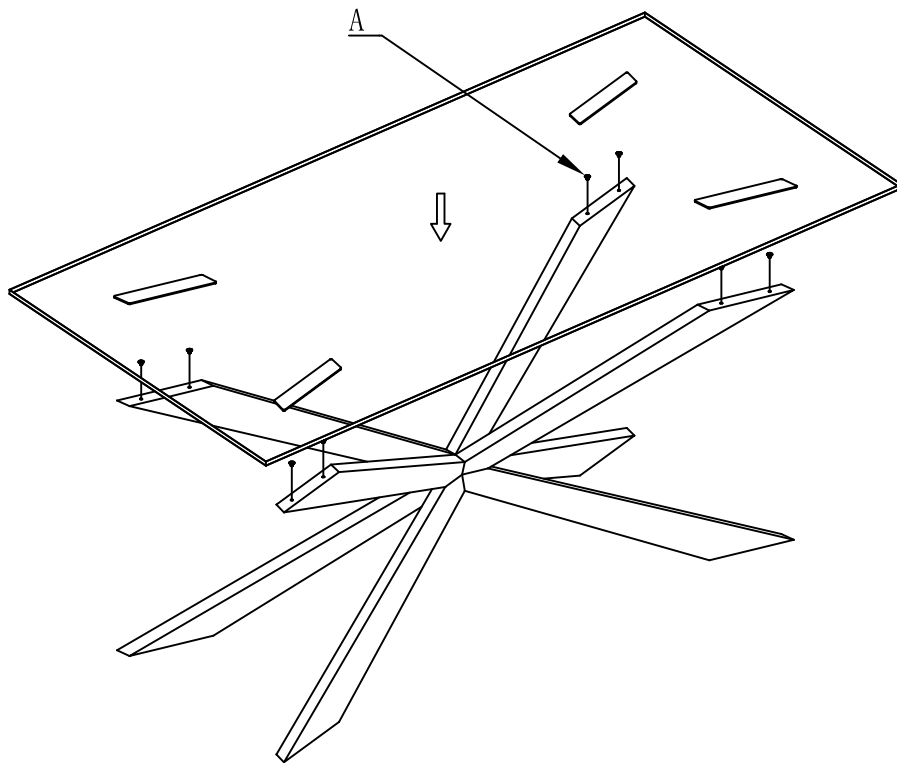
# CT2070 Assembly Instruction

BEFORE YOU START CHECK ALL THE COMPONENTS

## HARDWARE LIST

A		φ6	8
---	---	----	---

STEP 1



FINISHED

