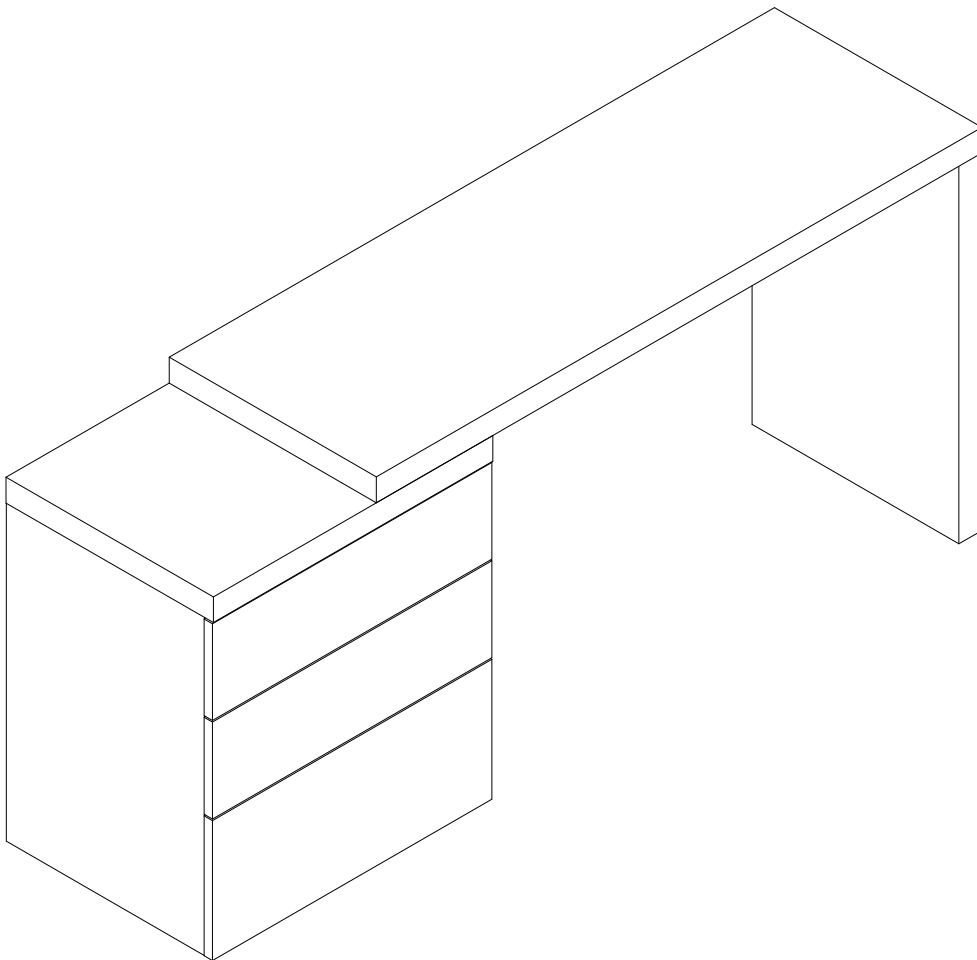
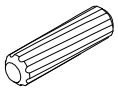
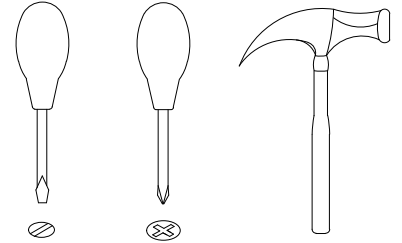
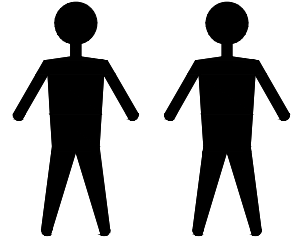


# CPM4723-HA



# # CPM4723-HA



A x2  
Spec:  $\phi$ 10\*40



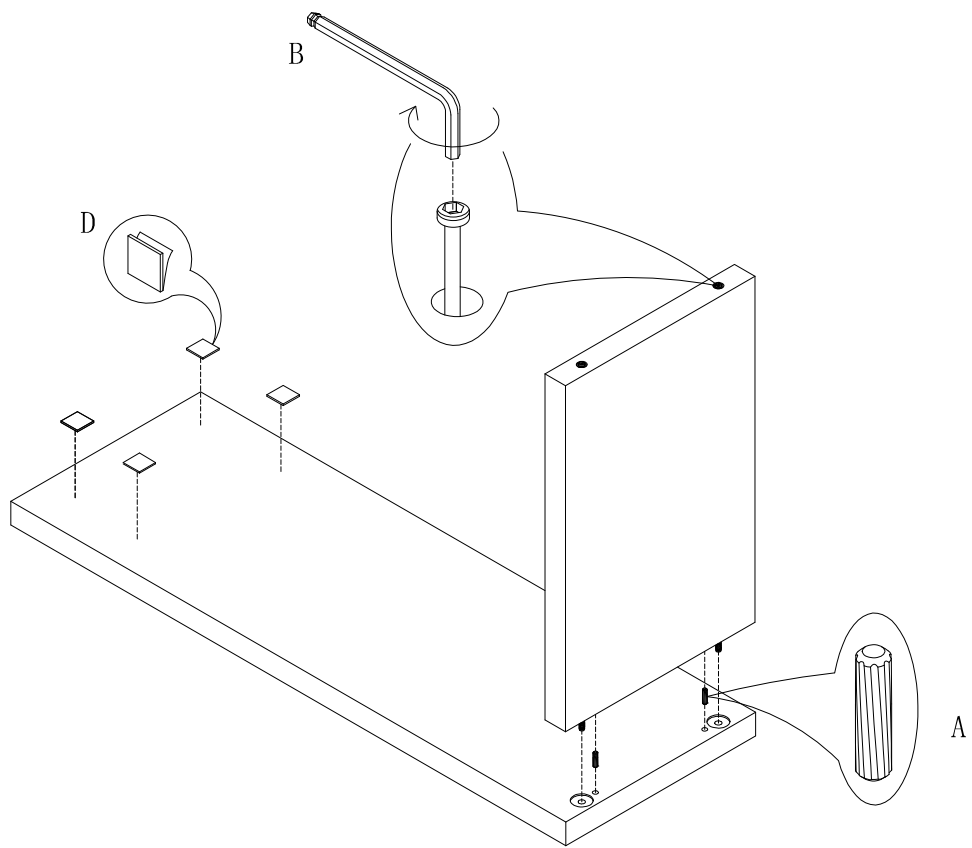
B x1  
Spec: 4#



C x1  
Spec: 10g



D x4  
Spec: 38\*38



1

2

