



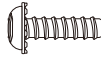

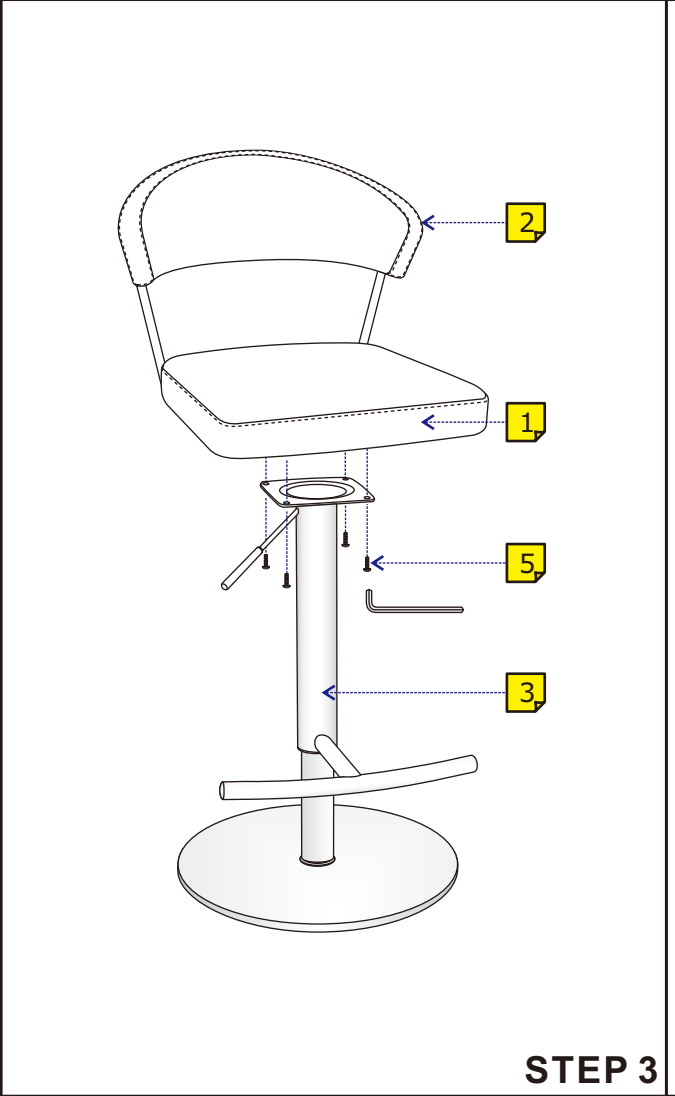
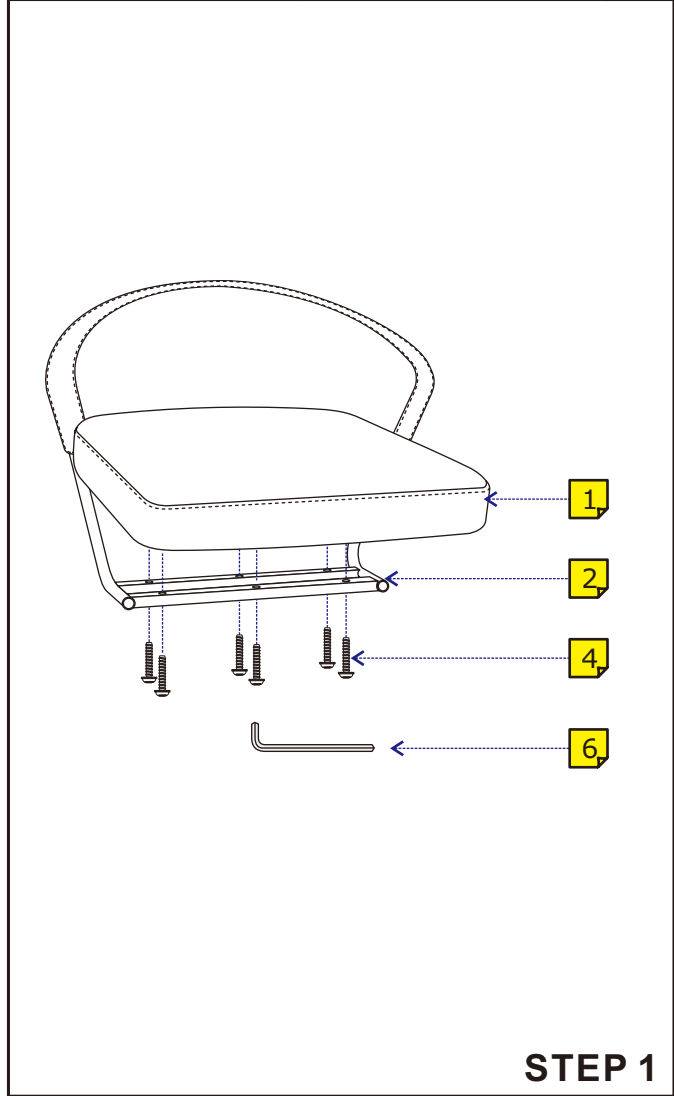



<b>ITEM:</b> C218A-930 CB-C100	<b>1</b> SEAT	<b>2</b> Backrest	<b>3</b> Base	<b>4</b> SCREW	<b>5</b> SCREW	<b>6</b> SPANNER
				 6*30(6Pcs)	 6*20 (4Pcs)	 M5



### Assembly Instruction



In order to activate the gas hydraulic it is important that once you have assembled the stool that you raise the lever and bounce your weight up and down on the stool and then lift your weight off with the lever still raised and the stool should begin to rise.

**CLEANING OF PU/LEATHER COVER-WIPE CLEAN WITH A SOFT CLOTH MOISTENED WITH WATER AND NEUTRAL DETERGENT. DO NOT USE BLEACH, CHEMICAL OR BIOLOGICAL CLEANERS.**